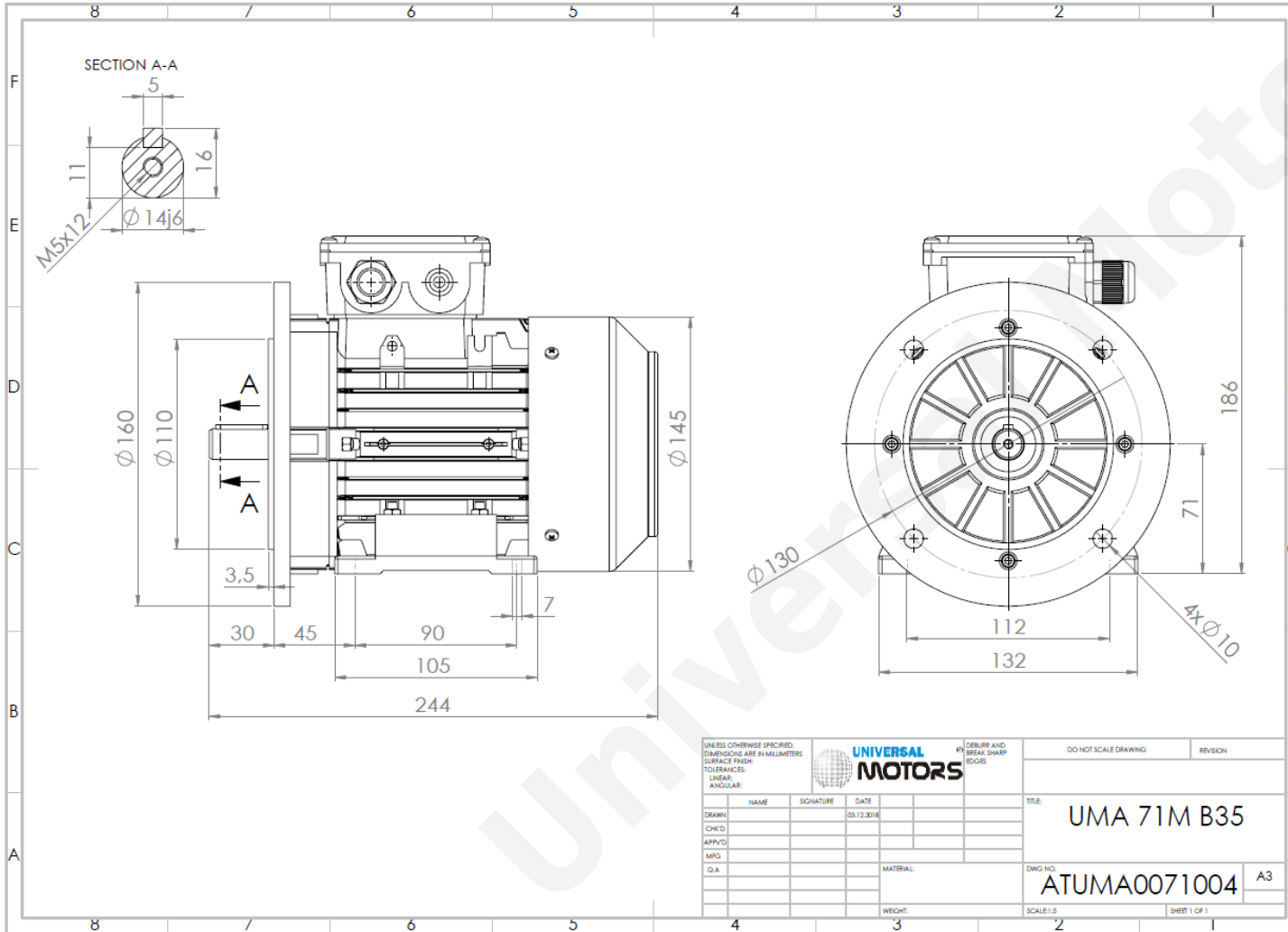




TECHNICAL DATA

Three Phase Electric Motors - Aluminum Frame
 UM2A 71M1-4
 0.25 kW / 0.33 Cv
 1400 RPM



Motor type:	UM2A 71M1-4
Output:	0.25 kW / 0.33 Cv
Speed (min ⁻¹):	1400 RPM
Frequency:	50 Hz
Voltage:	400 V
Current:	0.77 A
Power factor (Cos Ø):	0.67
Poles:	4
Insulation class:	F
Temperature rise Class:	B
Efficiency 50%:	62.9 %
Efficiency 75%:	68.5 %
Efficiency 100%:	69.6 %
Torque:	1.72 N.m
Tstarting/Tnominal:	2.2
Istarting/Inominal:	4.1
Tmaximum/Tnominal:	2.3
Noise:	55 Db(A)
Weight:	5.2 Kg
Brake AC:	AC2
Torque Brake DC:	4 N.m
Bearing DE:	6202 2Z
Bearing NDE:	6202 2Z
Torque Brake AC:	10 N.m
Brake DC:	REB-05-06

Regime - S1 **Altitude - 1000m** **Environment Temperature - 40°C**

CONTACTS:
 UNIVERSAL MOTORS Tel: +351 252 299 080
 Rua de São Brás,745 Fax: +351 252 299 089
 4480-782 VILA DO CONDE Mail: geral@universalmotors.pt

* References applied only in the UK